

FreshBase Plus AI Scale Innovation Meets Durability



FreshBase Plus AI Scale is the new range of touchscreen scales that integrates weighing, image recognition, label printing and check-out into one scale aimed at improving process efficiencies, reducing costs, and achieving operational excellence.

With accurate weighing, fast printing and innovative technology, FreshBase Plus AI brings convenient and intuitive touchscreen operation to sales counters, backrooms and self-service weighing areas. FreshBase Plus AI can also run third party software to enable seamless checkout functionality to specialty shops.

FreshBase Plus AI

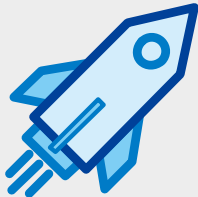
Enhanced customer experience

With FreshBase Plus AI, retailers are choosing a thoroughly future-proof investment. Operators enjoy smooth processes, fast weighing feedback and rich functionality. Robust design and high-quality components boost operational uptime and lengthen equipment life cycle, even under the harshest conditions. With AI Solution, make your device always have leading position



High recognition rate and easy to use

- Automatic and accurate recognition, while supporting other PLU search functionalities
- Operators can start immediately with limited training. Reducing training, costs and easing the problem of labor difficulties in stores



Easy deployment and fast recognition to enhance efficiency

- Fast recognition with high speed printer to complete transactions immediately
- Recognition model automatically matches store products to reduce deployment cost
- Share learning achievements to simplify multi-store deployment



Adaptable and simplifies operations

- Supports different applications such as label printing and cashier checkout
- Adaptable to different lighting environments and multiple packaging methods
- Optimized algorithm to fit for stainless steel platter to ensure food safety



All-in-one solution, stable and reliable

- Complete solution of scale software, AI software and PC management software to support multiple applications in stores
- High quality printers, touchscreen, and device components reduce maintenance costs

Ergonomic design

- The capacitive touch screen can be adjusted to best suit the ergonomic needs of operator, making operation more convenient
- The high-resolution, large display improves screen visibility and usage
- Accurate touch can suit the salty-water environment and EMI environment



Image Recognition

- Accurate image recognition and sales history recommendations support easy and efficient training of new device operators and reduced turnover
- Learning results can be shared to simplify device deployment and support rapid store expansions
- AI Model is adaptable to different lighting conditions and various product packaging types

Smart Camera, Food safety platter

- The camera can be added later on in 5 minutes or less, making upgrades fast and easy
- Advanced algorithm to solve the issue of reflected light in platter, and stainless steel construction supports cleanliness, hygiene, and food safety

Fast printing and scanning

- High-speed printer and fast image recognition improve operational efficiency
- Millions high-quality prints safeguarding clients' business
- Larger rolls are accommodated, reducing the frequency of roll changes

For more information:
▶ www.mt.com/FBP-AI

FreshBase Plus AI

Technical Data

Operator Display

- 15.6 inch capacitive touchscreen
- Screen resolution: 1920x1080 pixels
- Tilt angle adjustable (stepless)

Customer Display

- 7-inch customer display
- Tilt angle fixed
- Screen resolution: 1024x600 pixels

CPU

RK 3288 Quad-Core 1.8GHz

Printer

- Thermal printer for receipts, labels
- Printing speed: up to 125 mm/s
- Print resolution: 8 dots/mm
- Printable width: 56 mm
- Roll diameter: max. 120 mm

Data Storage

- 2 GB DDR3
- 16 GB eMMC

Interfaces and protocols

- Ethernet interface (10 / 100M, 1000M Compatible)
- 1 x serial RS232 interfaces (Optional)
- 1 x RJ11 interface for controlling the cash register drawer
- 2 x USB 2.0 connections (Bottom of tower)
- 2 x USB 2.0 connections (Side of tower) (Optional)
- 1 x USB OTG connection
- IEEE 802.11 a/b/g/n/ac standard

Operating system

- MT Smart OS Embedded

Power Supply

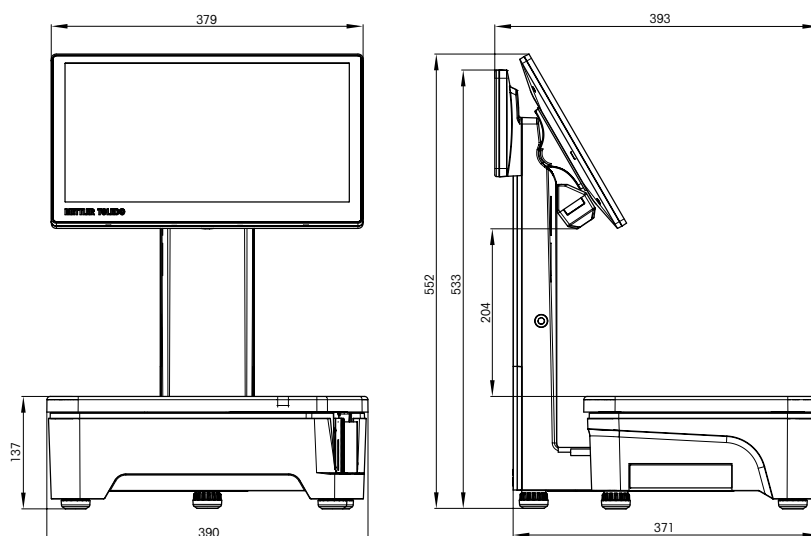
- 100 – 240 V AC, 50 / 60 Hz

Casing

- Highly durable aluminum tower and die-cast casing
- Shock-resistant and imbued ABS polymer display casing and tower cover



Weighing Range	3 kg / 6 kg	6 kg / 15 kg	15 kg / 30 kg
Partition	1 g / 2 g	2 g / 5 g	5 g / 10 g
Minimum weight	20 g	40 g	100 g



www.mt.com/retail

For more information



Mettler-Toledo

Subject to technical changes.
© 2022 Mettler-Toledo