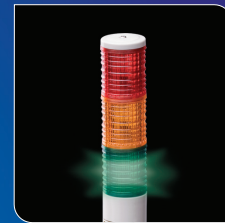




3 Different Colour Display



HI/OK/LO Light Tower



External Display

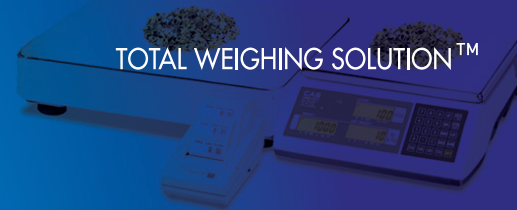
EC-II SERIES

Counting Scale

The EC-II provides the features you need for counting and weighing and is available in four capacities from 3 to 30kg. With Dual Channel, connecting a second platform to expand your capacity is easy. 4 optional devices can be used simultaneously.

- Dual Channel, connect to remote devices
- LCD display with 3 different colour backlights
- HI/LO limit function with alarm beeps
- 200 Items memory

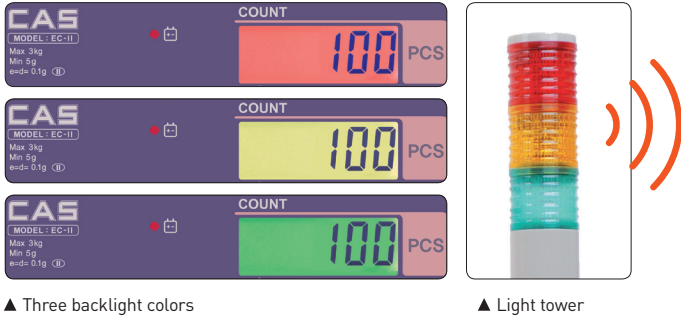




EC-II SERIES | Counting Scale

Comparison function with alarm beeps (HI/OK/LO)

EC-II series offer the most efficient control solution by using a preset range for weight & count data. Operators can preset the range of weight & count data, then the EC-II series will indicate whether the actual weight of the loaded items is in or out of the preset range with an alarm beep while the associated colour backlight will appear. The EC-II will also enable users to conduct a much faster and easier operation.



▲ Three backlight colors

▲ Light tower

Barcode label or ticket printer

The scale can be connected with a barcode label or ticket printer which prints out the data, weight, unit weight, quantity, tare, gross, item number, item name(ASCII code).



▲ Accumulation mode

Technical Data

SPECIFICATIONS

Model	EC-II Series			
Max. Capacity (kg)	3	6	15	30
Division (g)	0.1	0.2	0.5	1
External Resolution	1/30,000 ~ 1/60,000			
Internal Resolution	1/600,000			
Display Type	LCD Display			
Operation Temp.	0°C ~ 40°C			
Tare Range	Full Capacity by subtraction			
Power	AC Adaptor DC 12V/1A or 12V/800mA Internal rechargeable battery (80hrs cont. use)			
Platter Size (mm)	ABS : 304(W)×220(D), Stainless : 306(W)×222(D)			
Dimensions (mm)	330(W) × 346(D) × 107(H)			
Product Weight (kg)	4.5			

OPTIONAL DEVICES

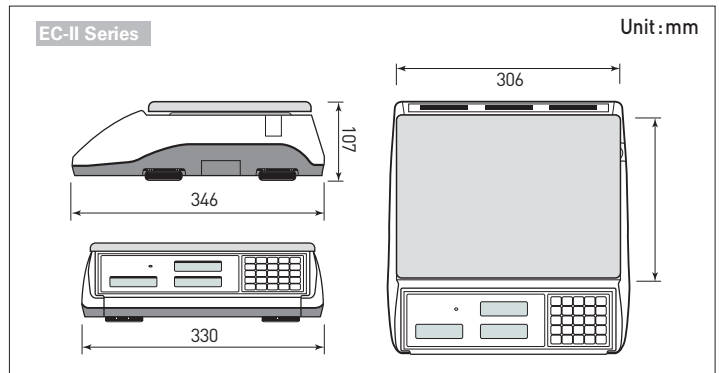
1. Relay 2. External platform 3. External display 4. Light tower 5. Ticket printer: DEP-50 6. Label printer: DLP-50



CAS NEW ZEALAND LTD
MANUKAU CITY 2104
AUCKLAND, NEW ZEALAND
EMAIL: sales@cassscale.co.nz
http://www.cassscale.co.nz

Specifications are subject to change for improvement without prior notice.

DIMENSIONS



FEATURES

- Dual channel for second scale (up to 10ton)
- 4 Load Cells Platform
- Int. resolution 1/600,000 Ext. resolution 1/30,000
- Compare Count or Weight
- 10 printing formats
- 200 Item Memory, resistors for ID items
- Large LCD display (Height-18mm) & 3 Backlight Colours
- Key-command function
- Negative counting (count out of a full container)



Free Phone: 0800 4 SCALES
Email: sales@sensortronicscales.co.nz