



PD-II SERIES

POS Interface Scale

- Interface with Most ECR's & POS Systems
- 15, 30, 60, & 150 lb Capacities
- Weighs in Pounds or Ounces
- Compatible with UPS Worldship Software



CAS

www.cas-usa.com

PD-II SERIES | POS Interface Scale

FEATURES

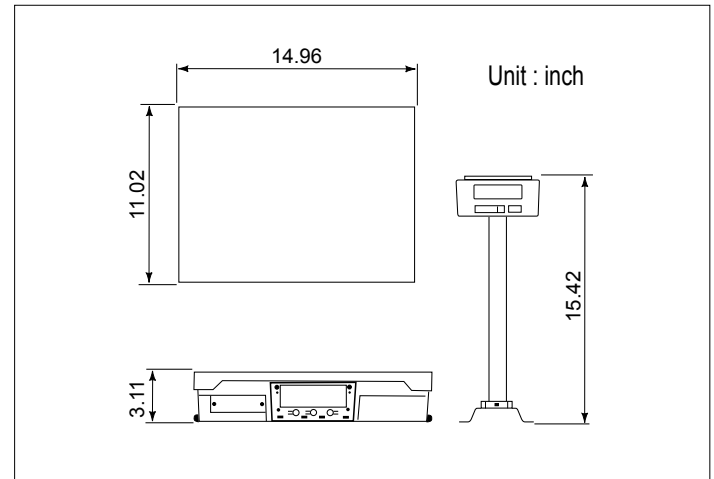
- Interface with most ECR's & POS Systems
- Weighs in pounds or ounces
- RS-232C Universal Interface, 4 bit parallel
- Stainless steel platter
- Two standard built-in tilt displays
- OPOS drivers available
- Compatible with UPS Worldship
- Legal for trade - COC # - 92-174A4

OPTIONS

- Remote Pole Display
- Ball Platter
- Interface Cables



DIMENSIONS



Applications

- POS - Groceries, Yogurt & Ice Cream Shops
- Shipping
- Mail Counters

SPECIFICATIONS

Model		PD-2Z (15lb) Dual Range	PD-2Z (30lb) Dual Range	PD-2ZS (30lb) Single Range	PD-2Z (60lb) Dual Range	PD-2Z (150lb) Dual Range
Weighing Capacity	lb	0-6 x 0.002 lb	0-15 x 0.005 lb	0-30 x 0.01 lb	0-30 x 0.01 lb	0-60 x 0.02 lb
		6-15 x 0.005 lb	15-30 x 0.01 lb		30-60 x 0.02 lb	60-150 x 0.05 lb
	oz	0-150 x 0.05 oz	0-300 x 0.1 oz	0-600 x 0.2 oz	0-400 x 0.2 oz	0-1000 x 0.5 oz
		150-300 x 0.1 oz	300-600 x 0.2 oz		400-1000 x 0.5 oz	1000-2000 x 1 oz
External Resolution		1 / 3,000: lb/oz			1 / 3,000: lb	1 / 2,000: oz
Internal Resolution		1 / 90,000: lb/oz			1 / 90,000: lb	1 / 100,000: oz
Display Digit		VFD 6 Digit				
Display Designators		Stable, Zero, kg or lb/oz				
Interface		RS-232C, 4-bit Parallel Communication (ECR Interface)				
Power Source		AC 120V / 60 Hz				
Operating Temp		-10°C ~ 40°C / 14°F ~ 104°F				
Product Weight		14.8 lbs / 6.7 kg				



99 Murray Hill Parkway
East Rutherford, NJ 07073
TEL: (201) 933-9002
FAX: (201) 933-9025
<http://www.cas-usa.com>

Specifications are subject to change for improvement without prior notice.